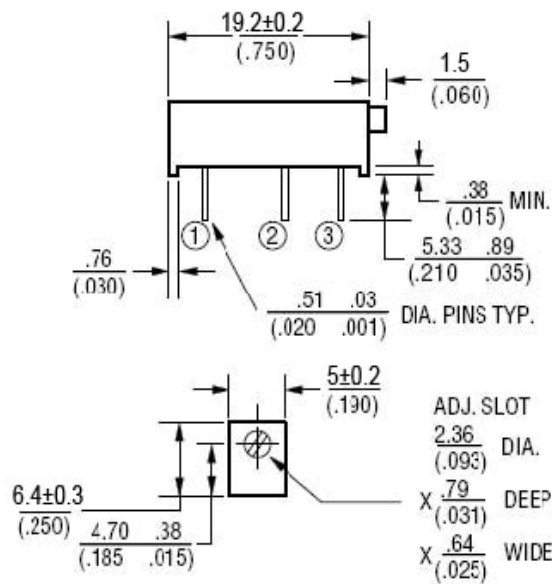


VTR-A-3006 Rectangular Multi-Turn Trimmer Potentiometers

3/4 " Rectangular / Multiturn / Cermet /Industrial / Sealed * 3 Terminal Styles

Electrical Characteristics		Environmental Characteristics	
Standard Resistance Range	10Ohms - 5MOhms	Power Rating (max 315V)	0.75W@70°C, 0W@125°C
Resistance Tolerance	±10%	Temperature Range	-55°C ~ +125°C
Absolute Minimum	≤10Ohms(100Ohms≤R≤1K)	Temperature Coefficient	200 or ±100ppm/°C
Resistance	≤1%R (R>1K Ohms)	Temperature Variation	-55°C, 30min, +125°C
Contact Resistance Variation	CRV≤4% or 5 Ohms		30min, 5 cycles
Insulation Resistance	R1≥1GOhms(100Vac)		ΔR≤5%R, Δ(Uab/Uac)≤5%
Withstand Voltage	220V	Vibration	10 – 500Hz, 0.75mm, 6h
Effective Travel	22±5 turns		ΔR≤5%R, Δ(Uab/Uac)≤7.5%
Physical Characteristics		Collision	390m/s ² , 4000cycles, ΔR≤2%R
Starting Torque	≤35mN·m	Electrical Endurance at 70°C	0.75W@70°C
	Resistance Tolerance		1000h, ΔR≤5%R CRV≤3% or 5Ohms (whichever is larger)
Marking	Model	Rotational Life	200 cycles (whichever is larger)
	Resistance Code		ΔTR≤10%R, CRV≤3% or 5 Ohms
Standard Packaging	25pcs, per tube		

Common Dimensions



How To Order

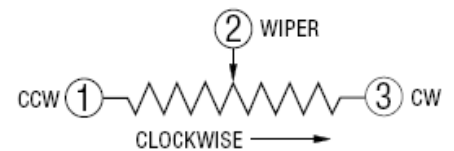
VTR-A-3006P-103-R

Model _____

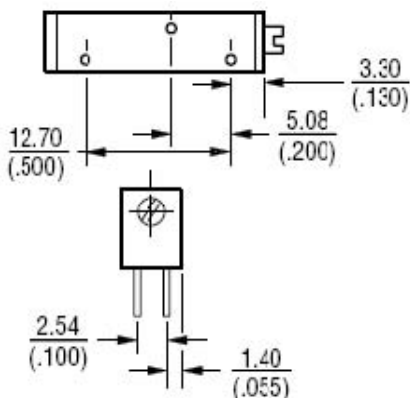
Style _____

Resistance _____

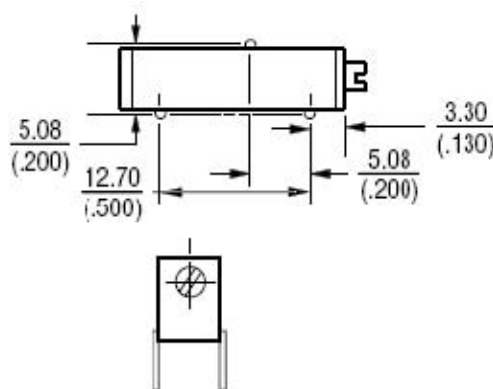
RoHS _____



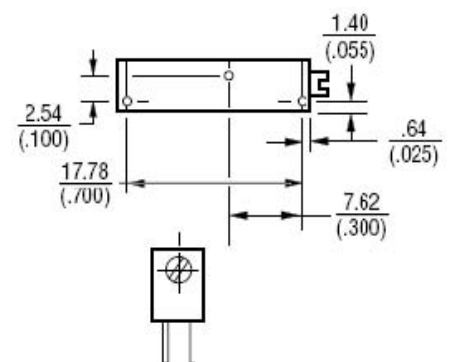
VTR-A-3006P



VTR-A-3006W



VTR-A-3006Y



Note: Specification are subject to change without notice. For more updated information, please visit our website.